

STRUCTURAL STRAND BOOM PENDANT QUOTATION REQUEST

QUANTITY _____ DIAMETER _____

LENGTH _____ MEASURING POINTS _____
(Example: C-Pin to C-Pin)

GALVANIZED CLASS (Check one.)

A (Throughout) B (B outer/A inner) C (C outer/A inner)

LENGTH TOLERANCE

Prestretch? Yes No

Stripe? Yes No

Measure length under load? Yes No

SOCKET SPECIFICATIONS

(The section below does NOT need to be completed if standard sockets are required.)

Lube tubes? Yes No

Strand Socket (on one end)

Pin diameter (D) _____

Jaw opening (O) _____

Ear thickness (V) _____

C-pin to basket (M) _____

Bail: Thickness (K) _____

Bail: Inside width (W) _____

Bail: Inside length (L) _____

Special dimensions not noted: _____

Special packaging required: _____

Strand Socket (on one end)

Pin diameter (D) _____

Jaw opening (O) _____

Ear thickness (V) _____

C-pin to basket (M) _____

Bail: Thickness (K) _____

Bail: Inside width (W) _____

Bail: Inside length (L) _____

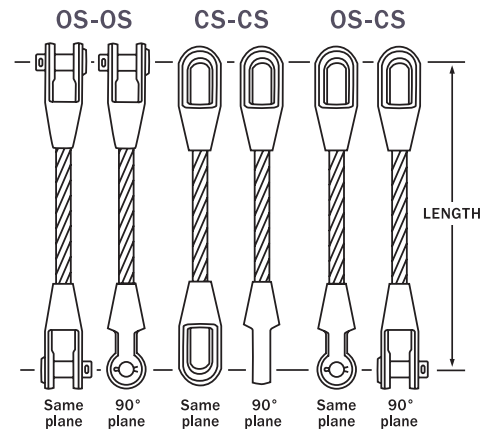
BEFORE YOU ORDER

We can assist you in every stage of your project – from design to completion.

To make a purchase or to request technical expertise, contact us at:

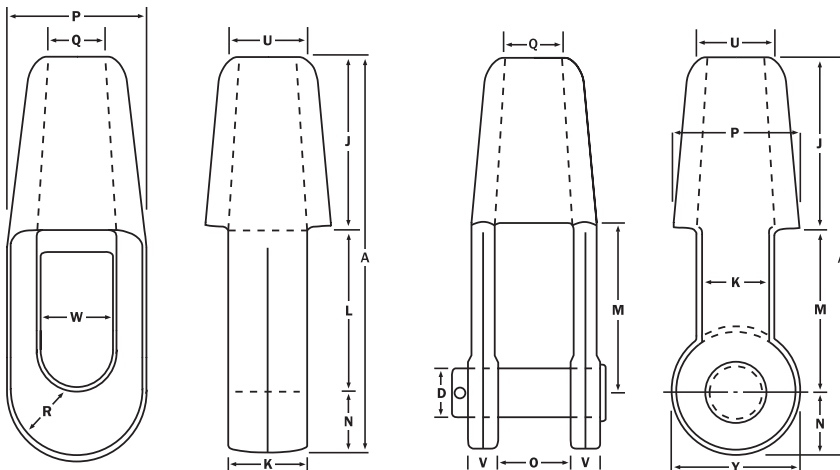
816.270.4700 or
info@WireCoWorldGroup.com

SELECT YOUR CONFIGURATION:



CLOSED STRAND SOCKET (CSS)

OPEN STRAND SOCKET (OSS)



A WireCo® WorldGroup Brand

816.270.4700
info@wirecoworldgroup.com

2400 West 75th Street
Prairie Village, KS 66208
fax: 816.270.4707
www.Unionrope.com